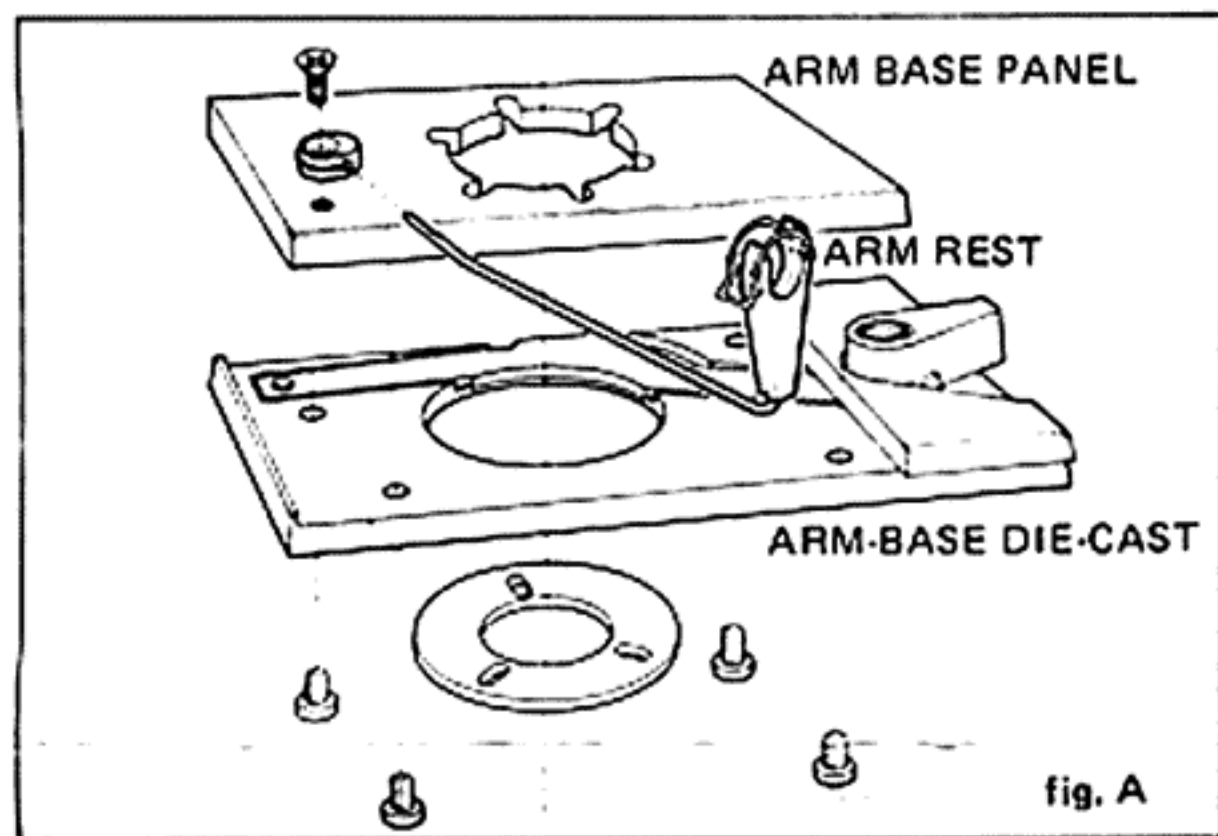


Explanation about Tonearm-base for the PD444/441

NAME	SUITABLE TONEARMS	ACCESSORIES
TP-SG (for general use)	DENON DA305, DA307, DA303, DA302 FR FR54 GRACE G940, G840F, G707, G545F, G860F, G860FB, G960, G565F, Σ 709F, G945 ADC LMF-1, LMF-2 AUDIOCRAFT AC300C, AC400C EXCEL SOUND ES801	• Washer to fix tonearms • Arm Rest
TP-MT (for tonearms whose arm-base is fixed by 3 screws)	STAX UA-7, UA-70 FR FR64, FR64S GRACE G704, G714 MICRO MA505, MA505L ORTOFON RMG212, RMG309 SAEC WE308, WE308SX	• Washer to fix tonearms • Arm Rest • Screws (2)
TP-LH (for tonearms of larger arm-base shaft)	FR FR66S VICTOR UA7045, UA7082 TECHNICS EPA100 AUDIO-CRAFT AC 300/II, 400/II, 3000 4000	• Arm Rest
TP-LS (for SME only)	SME SME3009SII, SME3012 SME3009SIII	• Screws to fix tonearm base. *
TD-X	Arm-base die-cast	• Fixing screws

* Be sure to use those screws provided with the TP-LS when the SME tonearm is mounted on it, since the screws of SME original do not fit the TP-LS.



This arm-base panel and die-cast arm-base are prepared for mounting the tonearm in your possession. Check the following list to determine whether or not the tonearm you own conforms to the arm-base panel supplied with turntable.

To mount the tonearm to the arm-base, be careful not to scratch the panel-face of the arm-base.

1. Changing the arm-base panel

Remove the screws fixing the arm-base panel to the die-cast arm-base. (If you purchase the die-cast arm-base (TD-X) separately, there's no need for this step.)

Then, fix the arm-base panel you purchased to the die-cast arm-base with the same 4 screws.

2. Mounting the Tonearm

Mount the tonearm to the arm-base completed by the step (1), following the instruction manual supplied with your tonearm.

With the TP-SG and TP-MT, fixing washers are provided. They are supplied for such cases in which the hole of the die-cast arm-base is too large to mount the tonearm in.

Caution:

The TP-MT has 6 radial notches. Use 3 of them according to the direction of the tonearm.

• The inside force cancellor of some tonearms does not function when installed in the position for the longer tonearm (left side) with the PD444. In this case, put the tonearm a little outwards (counter-clockwise), and use the arm-rest provided, because the arm-rest attached to the tonearm cannot be used.

• The arm-lifter of the SME3009/SII with a cartridge of low height would touch the fixing nut. In this case, remove the fixing nut and use the nut provided with the arm-base (TP-LS).

• Adjustment is necessary when you use the Stax UA-7 or UA-70 (longer type) tonearm. For details refer to the special instruction.

3. Mounting the Arm-rest

Insert the arm-rest bar into the arm-rest base, and fix it to the arm-base with the screw provided.

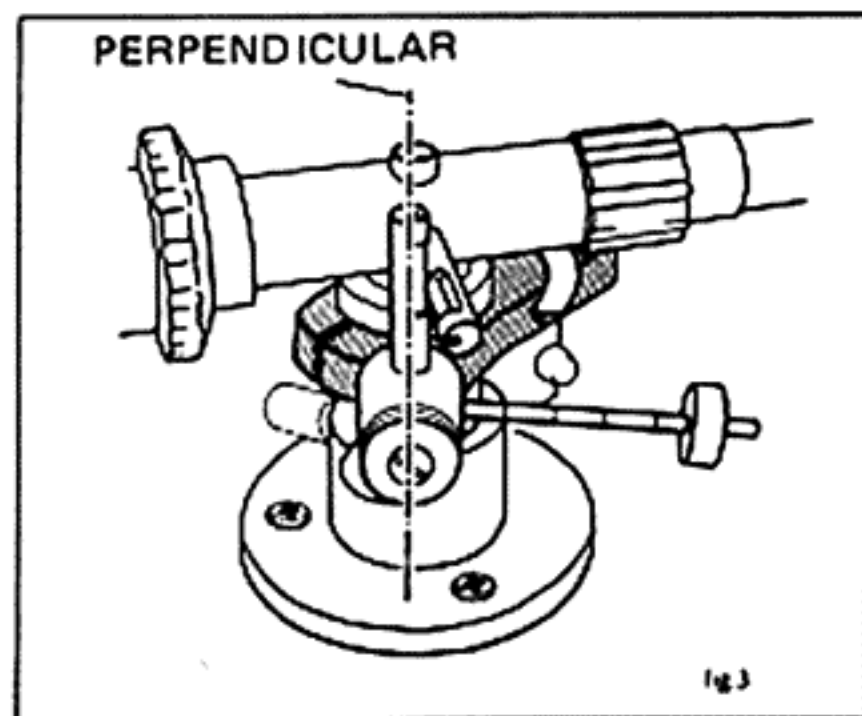
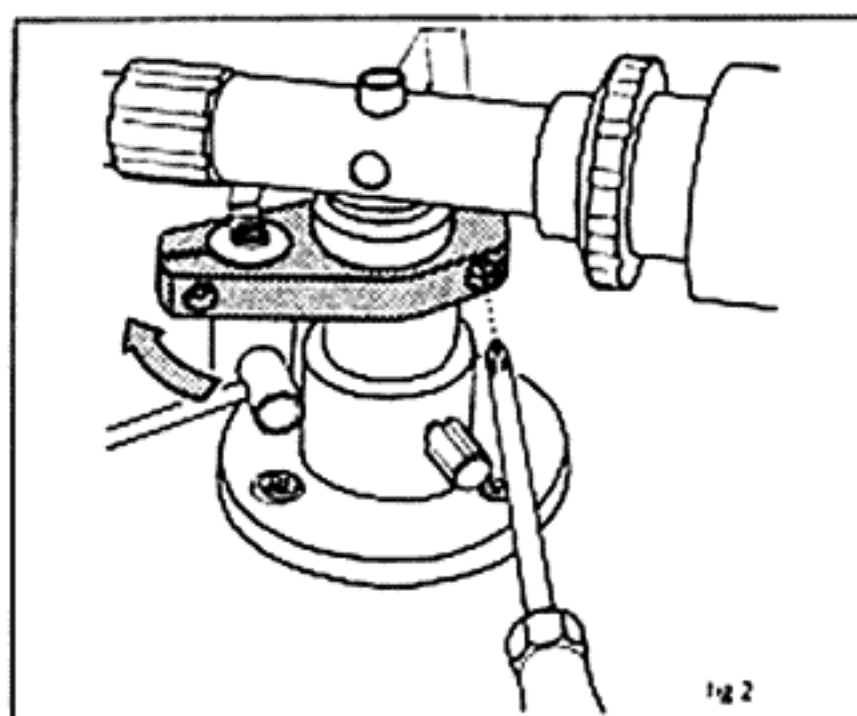
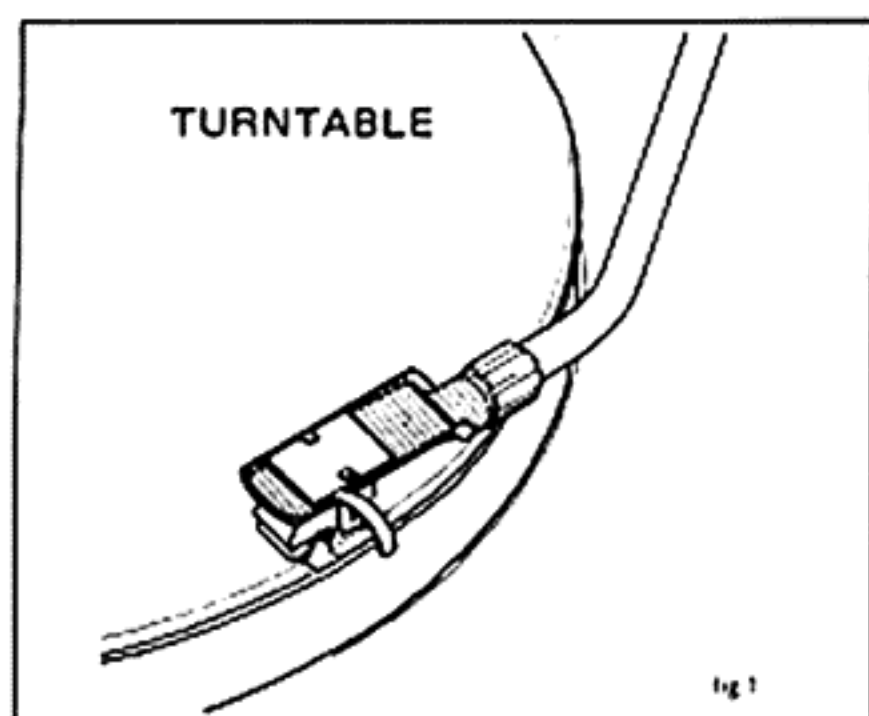
With the PD441 and PD444 in the position for a standard tonearm (right side), adjust the arm-rest on the arm-base in accordance with fig. A.

In the position for a longer tonearm (left side) of the PD444, turn the arm-rest base by 90 degrees in a clockwise direction.

The Stax UA-7, UA-70

After mounting, adjust the direction of the tonearm in the following way:

1. First, place the head-shell at the contour edge of the turntable. The inside-force cancellor has to be put into function. (fig. 1)
2. Loosen the screw and turn the black arm-lifter base in a clockwise direction. (fig. 2)
Caution: Be careful so that the black arm-lifter base does not fall down.
3. Adjustment has to be done by turning the black arm-lifter base so that the inside-force cancellor's roller arm becomes perpendicular as per the dotted line. (fig. 3)
4. Confirm that the head-shell can reach the innermost groove of a disc, and then fix the arm-lifter base by tightening the screw. (fig. 2)



LUX CORPORATION, JAPAN

1-1, 1-CHOME, SHINSENRI-NISHIMACHI, TOYONAKA-SHI, OSAKA, JAPAN.
PHONE: 06-834-2222 CABLE: LUXELECT OSAKA TELEX: J63694

Printed in Japan